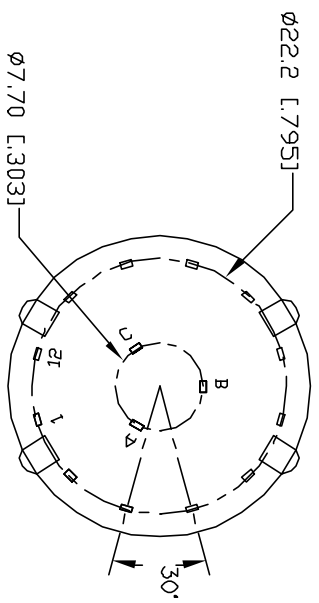
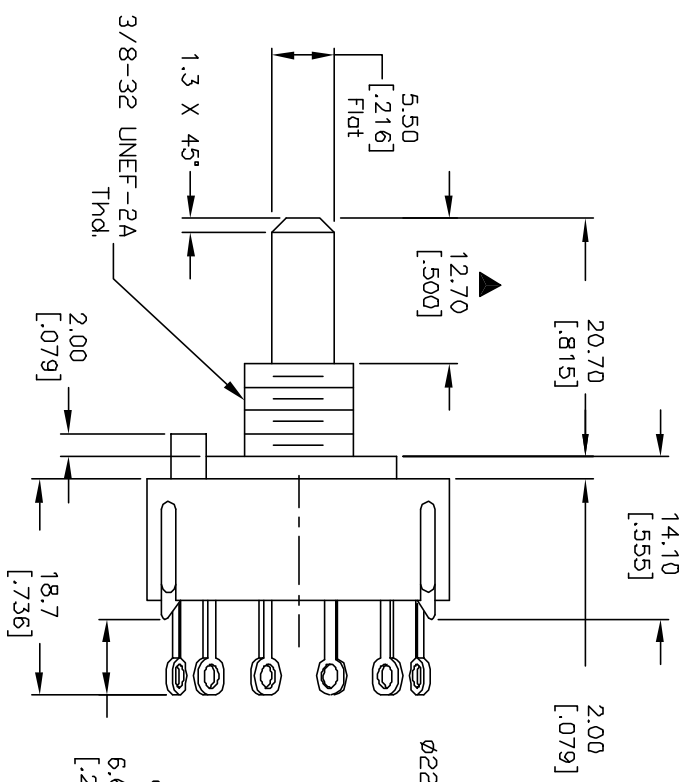
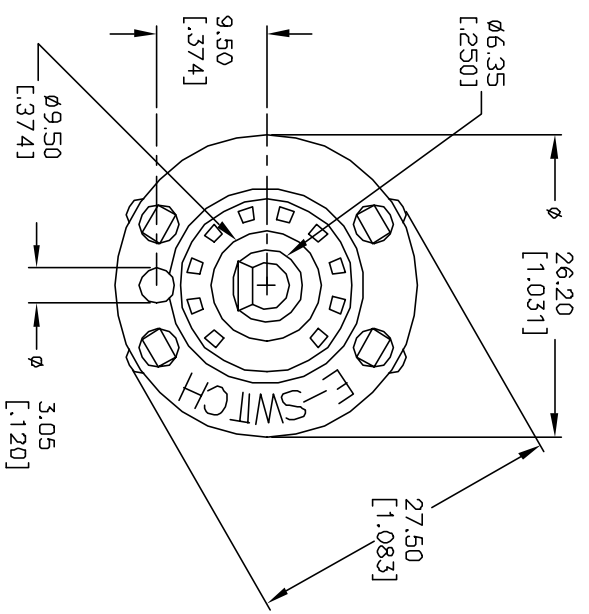
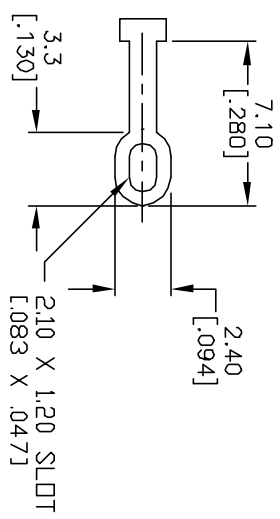
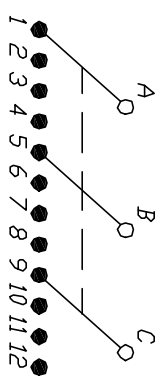


NOTES:

1. ALL DIMENSION IN MM [INCH]
2. GENERAL TOLERANCE: X.X=±0.4
X.XX=±0.25
3. TERM. NOS. FOR REF. ONLY
4. CONTACT RATING SWITCHING: 150mA, 250V AC/DC
350mA, 110V AC/DC
5. OPERATING FORCE: 425±100 CM/STANDARD
6. OPERATING TEMP: -30° to 85°C
- ▲ 7. CIRCUIT 3P: 4 POSITIONS, 30° INDEX.
- ▲ 8. DIELECTRIC STRENGTH: 1000V RMS min.@Sea Level
- ▲ 9. DESIGNATE MAJOR DIMENSIONS
10. LOCK NUT AND WASHER NOT SHOWN.



E-SWITCH®

TITLE: KC-34-F-01-N-L-S (D=12.7)

REV.	ECN No.	DESCRIPTION	DATE	CHKD
A	11281	RELEASED FOR PRODUCTION	3/7/01	CJB

SCALE	DATE	DR	DWG	REV
1.5:1	3/7/01	CJB	G510265	A

THE INFORMATION CONTAINED IN THIS DOCUMENT IS PROPRIETARY TO E-SWITCH AND IS NOT TO BE COPIED OR TRANSFERRED